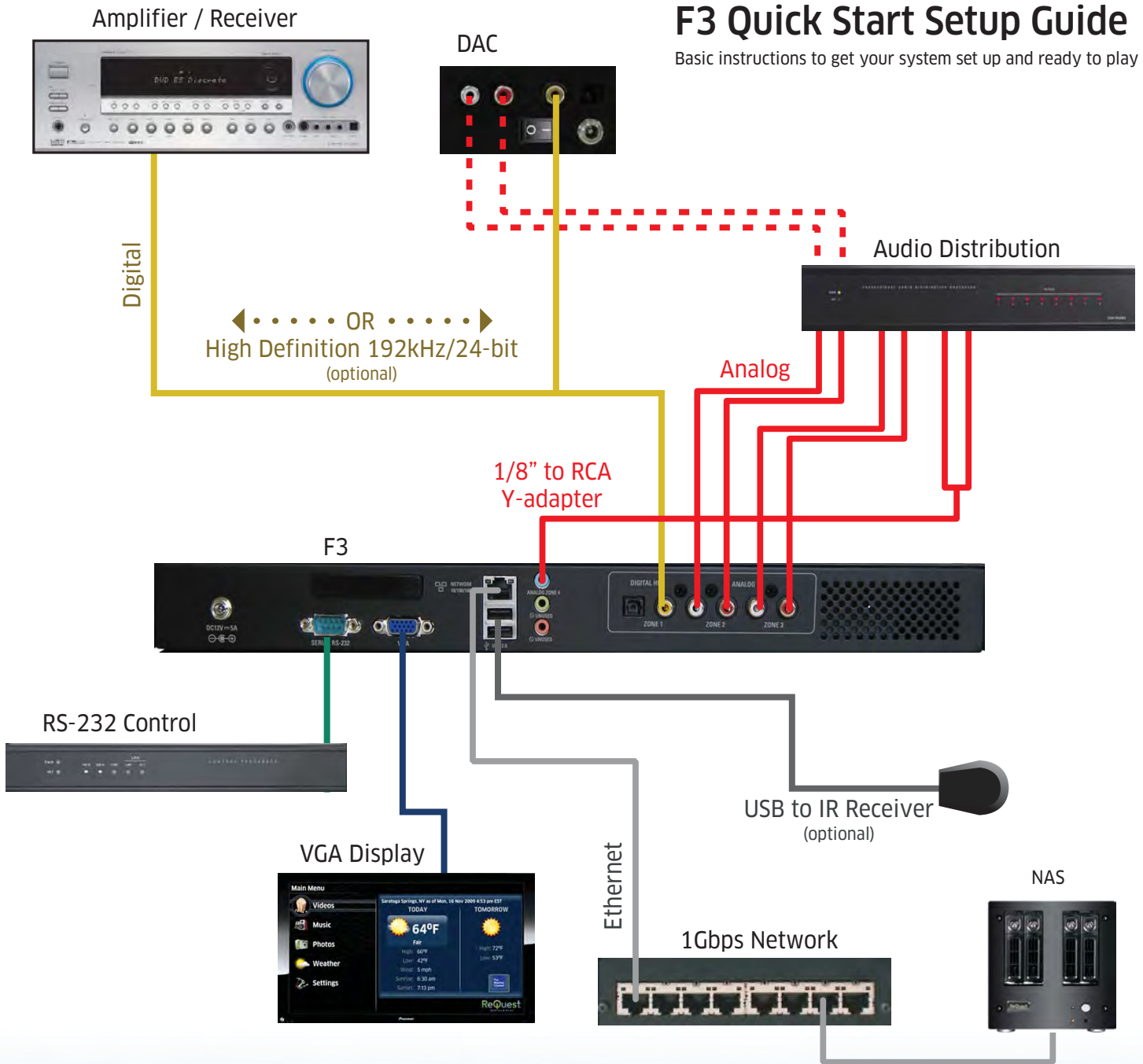


F3 Quick Start Setup Guide

Basic instructions to get your system set up and ready to play



Open a web browser and browse to:
request.com/findmyserver
Your new F3 Server should show up in the list on the left. Select it and click

Connect

Consult **MediaPlayer Setup Guide** for use with **MediaPlayer**
or go to ReQuest.com/support
for further documentation